

Tuffer Weigh-in-Motion



FEATURES

- High accuracy weigh-in-motion scale
- Increases loading efficiency and profitability
- User friendly menu driven format
- Displays bucket weight, truck weight and cumulative totals
- 10 cumulative totals in memory
- Up to 4 uniquely specific calibrations can be stored in the meter
- On-screen user prompts
- Large easy to read LCD
- Quick-tip will allow release of material when overloaded

OPTIONS

- Printer

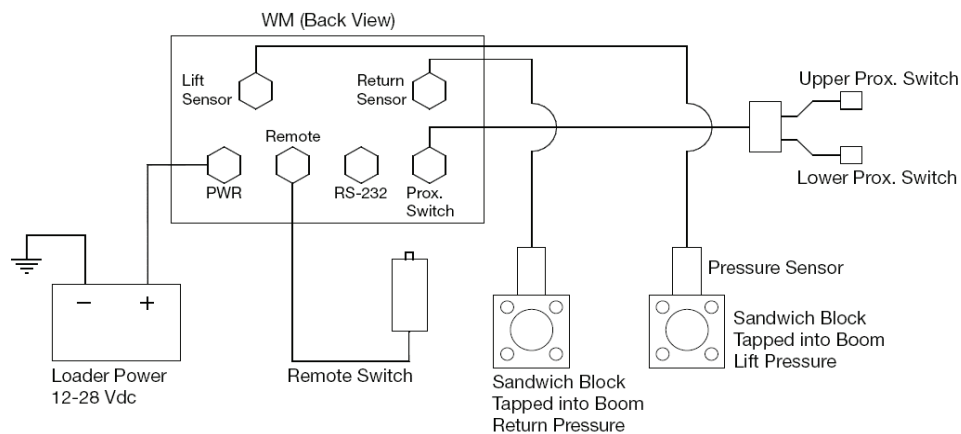
DESCRIPTION

The Tuffer Weigh-in-Motion scale offers high accuracy weight readings at the point of loading while loading vehicles. The Tuffer system operates on any brand and size of bucket loader. The system incorporates two external hydraulic sensors. These sensors measure the change in the hydraulic lift pressure, which is directly proportional to the load lifted, and converts it to a digital readout in the meter mounted in the cab of the loader. The Tuffer scale meter displays the individual lift weights and cumulative totals by material and customer number. The Tuffer Weigh-in-Motion scale is also equipped with a tip-off function, making it faster and easier to get the correct loaded weight the first time.

APPLICATIONS

- Quarries
- Docks
- Mining
- Rail car loading
- Solid waste transfer stations
- Batching operations
- Agricultural operations
- Hazardous waste sites
- Landscaping materials
- Decorative rock yards

SYSTEM BLOCK DIAGRAM



Tuffer Weigh-in-Motion System

SI Onboard



Tuffer Weigh-in-Motion

SPECIFICATIONS	
PARAMETERS	DESCRIPTION
Accuracy	2%
Capacity (GVW)	Unlimited
Number of pressure sensors	2
Number proximity sensors	2
Loader Types	All loaders with isolated hydraulics for the lift cylinder
METER	
Screen Type	Dot matrix LCD
Format	Menu driven with hard and soft keys
Size	8.5" L x 3.8" D x 5.4" H;
Weighing Units	Pounds, kilograms, tons, metric tonnes
Meter operating voltage	12 to 28 Vdc
Meter operating temperature	0 °F to 120 °F
Communications	RS232
Memory	10 programmable cumulative memory locations
PRESSURE SENSORS	
Pressure Capacity	25,000 psi minimum burst pressure
Type	Strain gauge pressure transducers
Material	Stainless steel
HYDRAULIC HOSE	
Length	10 ft
Pressure Capacity	23,000 psi minimum burst pressure

Disclaimer

All product specifications and data are subject to change without notice.

Vishay Precision Group, Inc., its affiliates, agents, and employees, and all persons acting on its or their behalf (collectively, "Vishay Precision Group"), disclaim any and all liability for any errors, inaccuracies or incompleteness contained herein or in any other disclosure relating to any product.

Vishay Precision Group disclaims any and all liability arising out of the use or application of any product described herein or of any information provided herein to the maximum extent permitted by law. The product specifications do not expand or otherwise modify Vishay Precision Group's terms and conditions of purchase, including but not limited to the warranty expressed therein, which apply to these products.

No license, express or implied, by estoppel or otherwise, to any intellectual property rights is granted by this document or by any conduct of Vishay Precision Group.

The products shown herein are not designed for use in medical, life-saving, or life-sustaining applications unless otherwise expressly indicated. Customers using or selling Vishay Precision Group products not expressly indicated for use in such applications do so entirely at their own risk and agree to fully indemnify Vishay Precision Group for any damages arising or resulting from such use or sale. Please contact authorized Vishay Precision Group personnel to obtain written terms and conditions regarding products designed for such applications.

Product names and markings noted herein may be trademarks of their respective owners.